

MICRO SWITCH
a Honeywell Division

FED. MFG. CODE 91929

SWITCH-BASIC

CATALOG LISTING

V7-5F17D8

CW-C5004

V7-5F17D8

CATALOG LISTING

M

ISSUE
3

REPLACES

RELEASE NO. PR-19544

CHECK

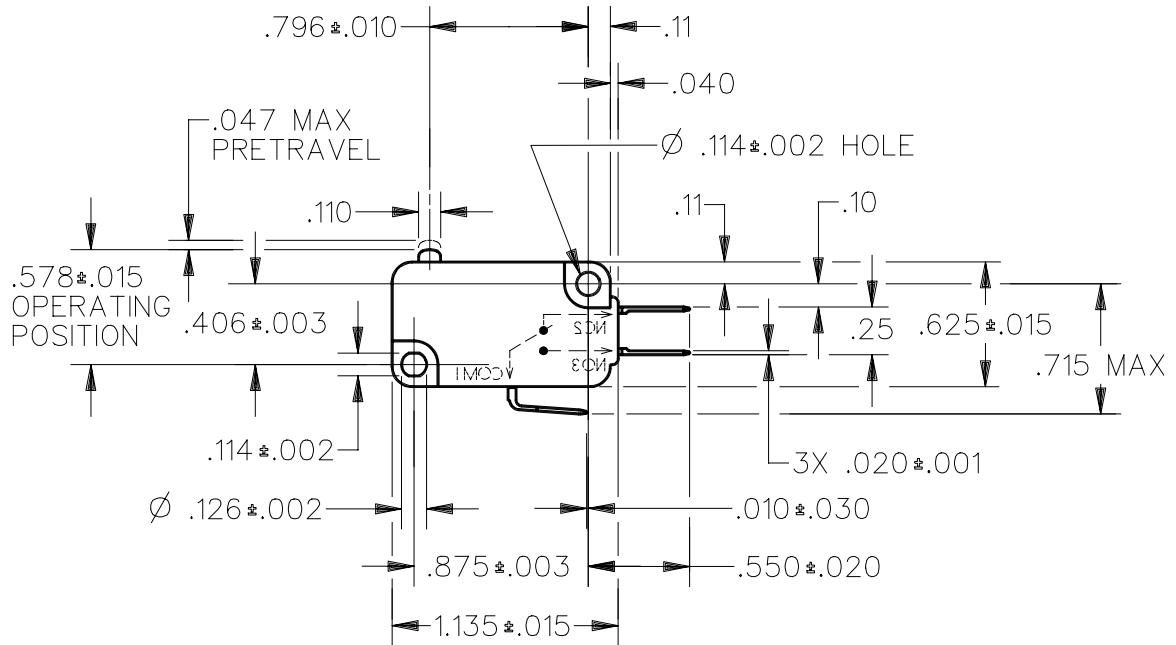
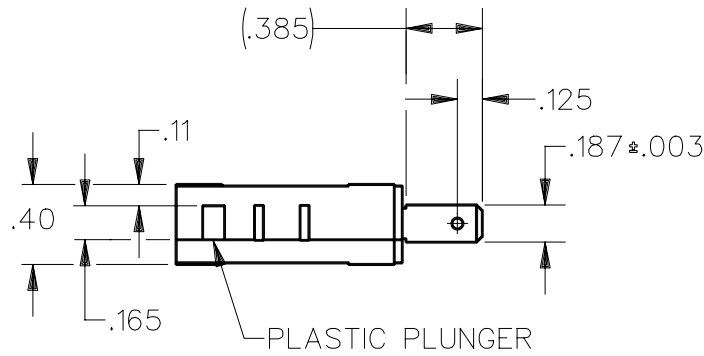
CHECK

CHECK

DRAWN
B A B 6 SEP 91

REVISIONS

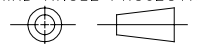
A	REL PR-19544
	BAB 6 SEP 91
B	CO-76108
	LJF 20 OCT 93



ANSI Y14.5M-1982 APPLIES

THIS DRAWING COVERS A PROPRIETARY ITEM AND IS THE PROPERTY OF MICRO SWITCH, A DIVISION OF HONEYWELL. THIS DRAWING IS NOT TO BE COPIED OR USED WITHOUT THE APPROVAL OF MICRO SWITCH.

THIRD ANGLE PROJECTION



CHARACTERISTICS

OPERATING FORCE — — — 15 GRAMS MAX
RELEASE TRAVEL — — — — .010 MIN
DIFFERENTIAL TRAVEL — — — .002-.010
OVERTRAVEL — — — — — .050 MIN
FREE POSITION — — — — — .625 MAX

ELECTRICAL DATA

CONTACT ARRANGEMENT
S P D T

L163 3A 125, 250, 277 VAC
1/10HP 250 VAC



SCALE FULL

DO NOT SCALE PRINT

UNLESS OTHERWISE SPECIFIED TOLERANCES ARE		
ONE PLACE (.0)	±.030	
TWO PLACE (.00)	±.015	
THREE PLACE (.000)	±.005	
ANGLES	±	

WEIGHT

DDM/CAD